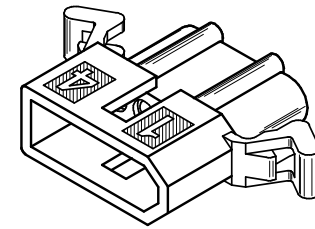
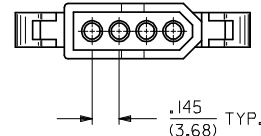
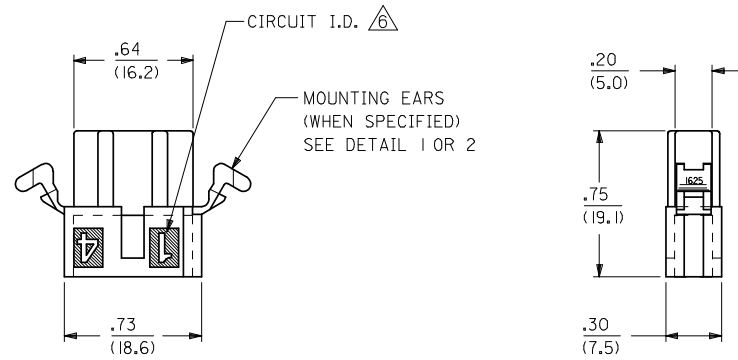
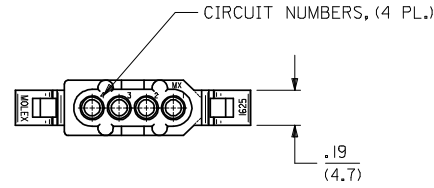


**RECEPTACLE HOUSING**



**PLUG HOUSING**

2	N
1	N
SHT.	REV.

UPDATE REV. LEVEL	2008/05/02
EC NO: UCP2008-2649	
DRWN: JELHAG	2008/07/21
CHKD: JBELL	2008/08/04
APPR: FSM/TH	
REV	N

QUALITY SYMBOLS	DESCRIPTION
▽=0	
▽=0	

GENERAL TOLERANCES (UNLESS SPECIFIED)	
4 PLACES ± --- ± ---	
3 PLACES ± --- ± .010	
2 PLACES ± 0.25 ± .014	
1 PLACE ± 0.36 ± ---	
ANGULAR ± 1 °	
DRAFT WHERE APPLICABLE MUST REMAIN WITHIN DIMENSIONS	

DIMENSION STYLE	IN/MM
DRAWN BY	DATE
GC	8/17/92
CHECKED BY	DATE
RW	8/17/92
APPROVED BY	DATE
RAS	8/17/92
MATERIAL NO.	SEE CHART

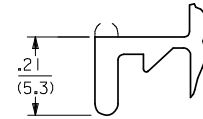
SCALE	DESIGN UNITS	THIRD ANGLE PROJECTION
---	INCH	
TITLE		
PLUG & RECEPTACLE HOUSINGS, 4 CIRCUIT, .062 DIA., .145 CENTERS		
MOLEX INCORPORATED		
DOCUMENT NO.	SD-1625-4*	SHEET NO. 1 OF 2
THIS DRAWING CONTAINS INFORMATION THAT IS PROPRIETARY TO MOLEX INCORPORATED AND SHOULD NOT BE USED WITHOUT WRITTEN PERMISSION		

PLUG		
PART NO.	ENG. NO.	
03-06-2041	I625-4P	
03-06-7041	I625-4PBK	OBSOLETE
03-06-2042	I625-4P1	
03-06-7042	I625-4P1BK	
NOT TOOLED	I625-4P2	
NOT TOOLED	I625-4P2BK	
	-	
	-	

RECEPTACLE		
PART NO.	ENG. NO.	
03-06-1041	I625-4R	OBSOLETE
03-06-6041	I625-4RBK	OBSOLETE
03-06-1042	I625-4R1	
03-06-6042	I625-4R1BK	
50-29-1758	I625-4R2	
	-	
	-	
	-	

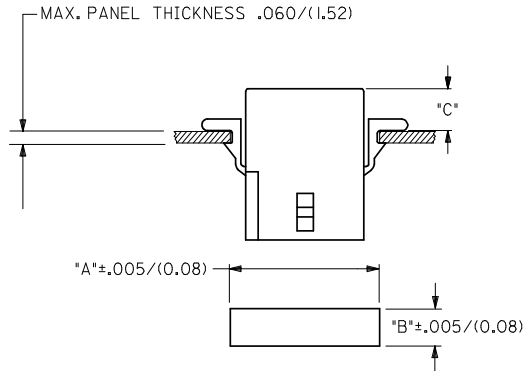
**LEGEND:**

1625-4\*\*\*  
 CIRCUIT SIZE  
 R = RECEPTACLE  
 P = PLUG  
 BLANK = WITH STANDARD MTG. EARS  
 1 = WITHOUT EARS  
 2 = WITH PREBENT MTG. EARS  
 BLANK = NOT DYED  
 AM=AMBER BK=BLACK BU=BLUE  
 BN=BROWN GY=GRAY GN=GREEN  
 OR=ORANGE RD=RED YW=YELLOW



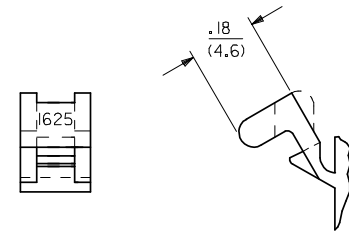
**DETAIL 1**

STANDARD MOUNTING EARS  
 (SCALE 4:1)



RECOMMENDED PANEL OPENING

HOUSING	DIM. "A"	DIM. "B"	"C" PREBENT EAR	"C" STANDARD EAR
PLUG	.865/(21.97)	.312/(7.92)	.19/(4.8)	.18/(4.6)
RECEPT.	.785/(19.94)	.260/(6.60)	.21/(5.3)	.20/(5.1)



**DETAIL 2**

PREBENT MOUNTING EARS  
 (SCALE 4:1)

NOTES

1. MATERIAL - NYLON TYPE 6/6, 94V-2
2. FINISH: N/A.
3. THIS PRODUCT COMPLIES WITH MOLEX PRODUCT SPECIFICATION PS-02-06
4. PACKAGING: PK-1625-003.
5. HOUSINGS FOR USE WITH MOLEX .062/(1.57) DIA. SERIES TERMINALS.
6. CIRCUIT I.D. NUMBERS ON SIDE OF HOUSING APPEAR ON PARTS FROM TOOLS BUILT AFTER 8/10/92. PARTS FROM TOOLS BUILT BEFORE THIS DATE WILL HAVE CIRCUIT I.D. RIBS ON HOUSING.
7. PARTS CONFORM TO CLASS 'B' REQUIREMENTS OF COSMETIC SPECIFICATION PS-45499-002.

OBSOLETE 1625-4R EC NO: UCP2008-2649 DRWN: AELHAG 2008/05/02 CHKD: JBELL 2008/07/21 APPR: FSM/TH 2008/08/04	QUALITY SYMBOLS	GENERAL TOLERANCES (UNLESS SPECIFIED)	DIMENSION STYLE	SCALE	DESIGN UNITS	THIRD ANGLE PROJECTION															
	$\nabla=0$ $\nabla=0$	<table border="1"> <tr> <th></th> <th>mm</th> <th>INCH</th> </tr> <tr> <td>4 PLACES</td> <td>±---</td> <td>±---</td> </tr> <tr> <td>3 PLACES</td> <td>±---</td> <td>±.010</td> </tr> <tr> <td>2 PLACES</td> <td>±0.25</td> <td>±.014</td> </tr> <tr> <td>1 PLACE</td> <td>±0.36</td> <td>±---</td> </tr> </table>		mm	INCH	4 PLACES	±---	±---	3 PLACES	±---	±.010	2 PLACES	±0.25	±.014	1 PLACE	±0.36	±---	IN/MM	---	INCH	
		mm	INCH																		
	4 PLACES	±---	±---																		
3 PLACES	±---	±.010																			
2 PLACES	±0.25	±.014																			
1 PLACE	±0.36	±---																			
DESCRIPTION			DRAWN BY DATE		TITLE																
			GC 8/17/92		PLUG & RECEPTACLE HOUSINGS, 4 CIRCUIT, .062 DIA., .145 CENTERS																
			CHECKED BY DATE																		
			RW 8/17/92																		
			APPROVED BY DATE																		
			RAS 8/17/92																		
			MATERIAL NO.		DOCUMENT NO.	SHEET NO.															
			SEE CHART		SD-1625-4*	2 OF 2															
			THIS DRAWING CONTAINS INFORMATION THAT IS PROPRIETARY TO MOLEX INCORPORATED AND SHOULD NOT BE USED WITHOUT WRITTEN PERMISSION																		